



Canada Temporary Fence

CATALOG

2020/01



Tel: 0086 311 88833097
Mob: 0086 180 3291 2353



WhatsApp: 0086 180 3291 2353
Skype: 0086 180 3291 2353



www.linkland.com
Veronica@linklandfence.com



Canada Temporary Fence

Canada temporary fence is a kind of temporary fence prevailing in Canada and North America markets.

It is constructed by welded wire mesh and square pipes. Platy fence base is also provided to make the temporary fence stand firmly on the ground.

It is designed to be strong and durable and is widely used in infrastructure, civil, industrial, commercial & demolition sites, construction sites, accident scenes and a wide range of major public events for storage, public safety, crowd control or theft deterrence.





Specification

A Height: 1800 mm, etc.

B Width: 2700 mm, 2900 mm, 3000 mm, etc.

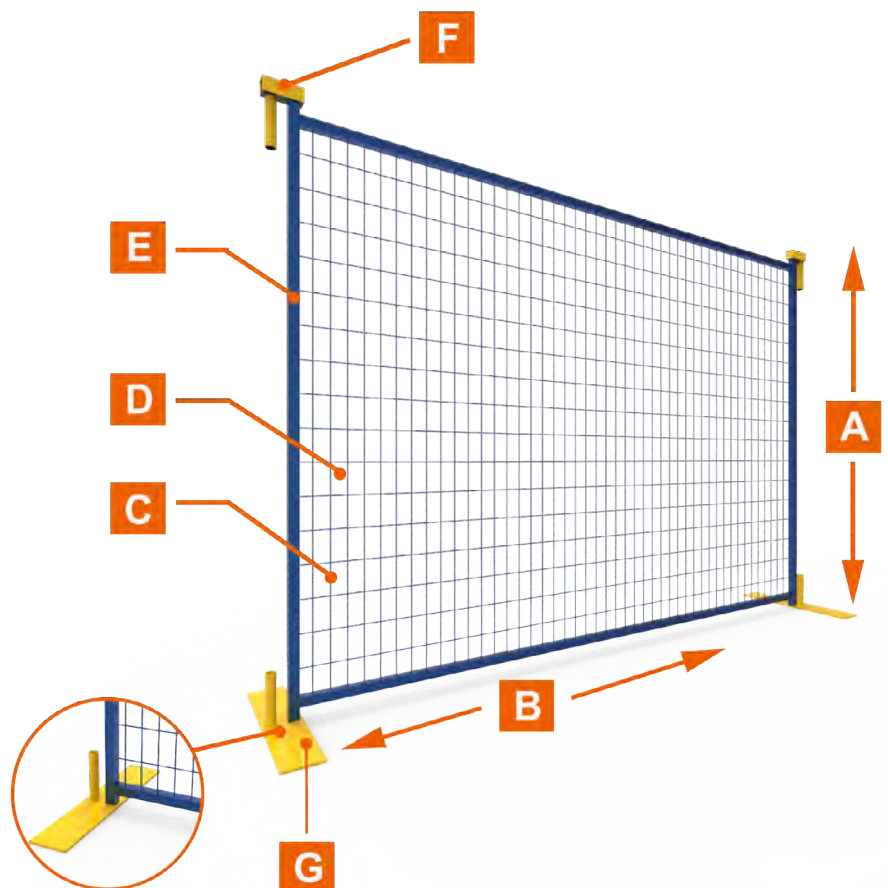
C Wire Diameter:
3.0 mm, 3.5 mm, 3.8 mm, 4.0 mm, 4.5 mm, etc.

D Mesh Opening:
50 mm × 100 mm, 50 mm × 150 mm,
75 mm × 100 mm, 75 mm × 150 mm

E Frame:
square pipe (25 mm x 25 mm, 30 mm x 30 mm);
thickness: 0.8 mm, 1.0 mm, 1.5 mm, 2.0 mm, 2.5 mm, 3.0 mm

F Clamp: metal clamp

G Base: 563 mm x 89 mm x 7 mm, 863 mm x 89 mm x 8 mm, etc.



- > Galvanized and powder coated treatment;
- > All colors are available in Ral;
- > Other specifications are available upon request.



Components & Accessories

The main component of Canada temporary fence is welded fence panels, top clip and fence base as shown below.

Fence Panels, Fence Bases & Top Clips

⊕ Fence panels



⊕ Fence bases



⊕ Top clips



Optional Accessories

⊕ Shade cloth



⊕ Canada temporary fence with shade cloth





Production Flow Chart

- + Step 1**

 Raw materials (galvanized steel wires)
- + Step 2**

 Raw materials (galvanized steel pipes)
- + Step 3**

 Steel wire straightening and cutting
- + Step 4**

 Wire mesh welding
- + Step 5**

 Pipe cutting
- + Step 6**

 Welded wire mesh frame welding
- + Step 7**

 Temporary fence panel welding
- + Step 8**

 Fence panel powder coating
- + Step 9**

 Finished Canada temporary fence panels



Package & Delivery



FENCE PANEL PACKAGE



FENCE DELIVERY



Features & Application

Features

⊕ Smooth and elegant appearance

The surface is well treated to eliminate all burrs for safe installation and removal.

⊕ Solid and stable base support

Platy fence feet are provided to make the temporary fence stand firmly on the ground.

⊕ Easy installation and removal

All assembly and disassembly works can be done by one single person without digging holes, which saves both time and labor.

⊕ Great cost effective

It can be installed and removed for many times and for multiple uses.

⊕ Lightweight and moveable with detachable base

Its lightweight and detachable base make it easy to handle and transport.

⊕ A wide range of colors

All colors are available to meet your specific needs.

Application

Canada temporary fence is designed to provide temporary boundary for various applications and is widely used in infrastructure, civil, industrial, commercial & demolition sites, construction sites, accident spots and a wide range of major public events for storage, public safety, crowd control or theft deterrence.



AMUSEMENT PARKS



STORAGE



PARKING LOTS



CONSTRUCTION SITES



TREE PROTECTION



INDUSTRIAL SITES



LINKLAND™

ANPING LINKLAND

WIRE MESH PRODUCT CO., LTD



Weimin East Street, No. 69-70
The Filter Industrial Park of Anping
County, HEBEI, CHINA. 053600



Tel: 0086 311 88833097
Mob: 0086 180 3291 2353



WhatsApp: 0086 180 3291 2353
Skype: 0086 180 3291 2353



www.linkland.com
Veronica@linklandfence.com

